



**WALL MOUNT**  
for  
**CHALLENGAIR™**  
**Forced Air Animal Dryers**



**INSTALLATION:**

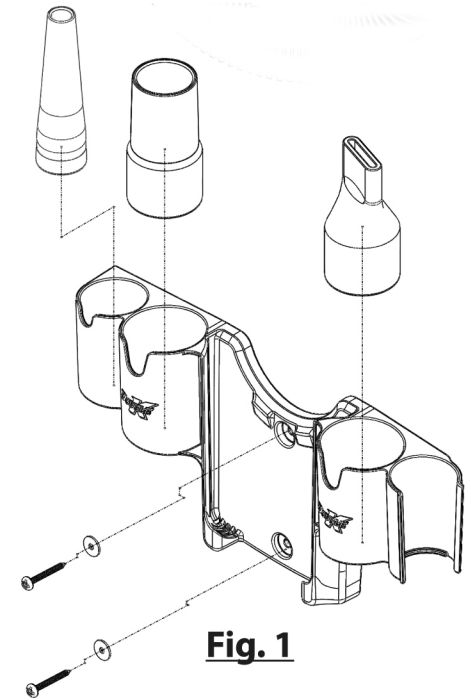
**Preparation:**

Find a stud in the wall. Align hole markings for pre-drilling at the center of the stud. Use a drill with the provided drill bit to drill pilot holes for the wood screws.

**To Install:**

Make sure that pilot holes are pre-drilled into the studs or other solid mounting surface before screwing the wall mount in place. Insert washers, then the screws into the wall mount. Tighten screws to secure.

\*Note: Inserting screws directly into the drywall with no stud backing will not work.



INSTRUCTION MANUAL

**PLEASE READ ALL INSTRUCTIONS AND SAFETY PRECAUTIONS BEFORE USING PRODUCT!**

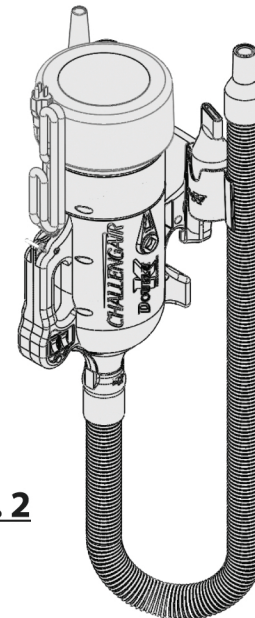
**SAVE FOR FUTURE REFERENCE; WARRANTY PERTINENT CONTENT.**

**Package Contains:**

- |                      |        |
|----------------------|--------|
| Wall Mount p/n: 2194 | Qty: 1 |
| #10 Pan Head Screw   | Qty: 2 |
| 3/4 Flat Washer      | Qty: 2 |
| Drill Bit, 7/64"     | Qty: 1 |

**Specifications:**

- |         |              |
|---------|--------------|
| Height: | 6.86 inches  |
| Length: | 14.98 inches |



**INSTRUCTIONS:**

**Dryer Mounting:**

To insert dryer into the wall mount, slide the dryer slowly with discharge end pointing down (fig. 2). There are three slots for your nozzles and one hose holder. Make sure dryer is securely positioned prior to turning the dryer on.